



ProLight

An illumination safety ring for two-coloured visualisation of the operating conditions of the UR Robot

Ordering Information

Typ	Article number
ProLight UR3	FAP17101
ProLight UR5	FAP17201
ProLight UR10	FAP17301

Attachments *

ProLight tool connecting cable,
M8 6P straight, 1,5m

* once in the order scope

Technical Details

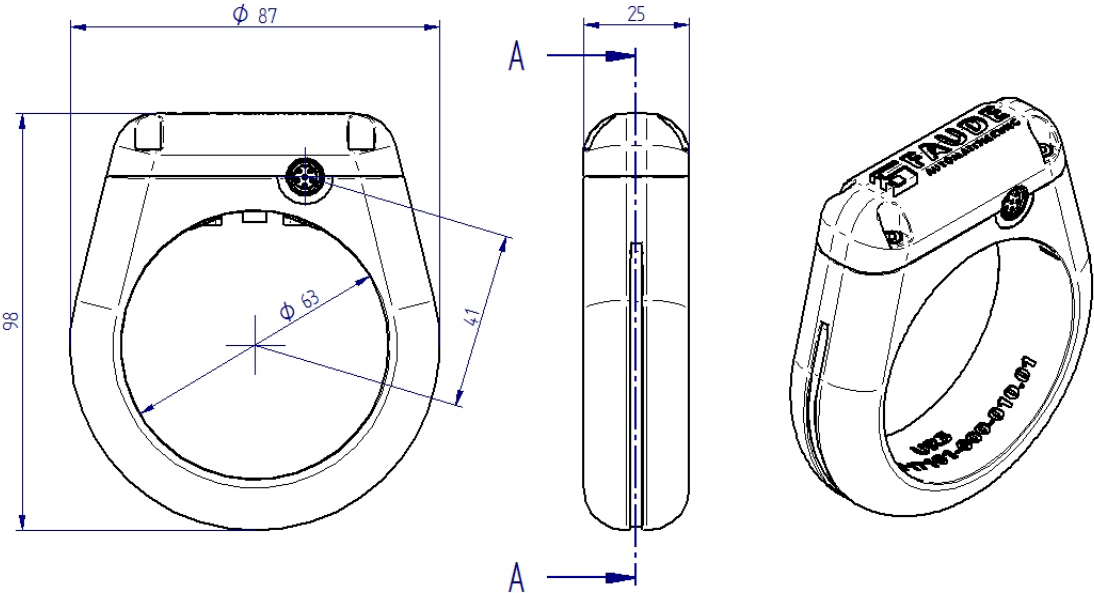
General

Weight in [g]	UR3 UR5 UR10	102 126
Dimensions in [mm]	Siehe technische Zeichnungen	
Material	Polyamid	
Ambient temperature in [Celsius]	-30° bis +40°	
Maximal temperature in [Celsius]	+45°	

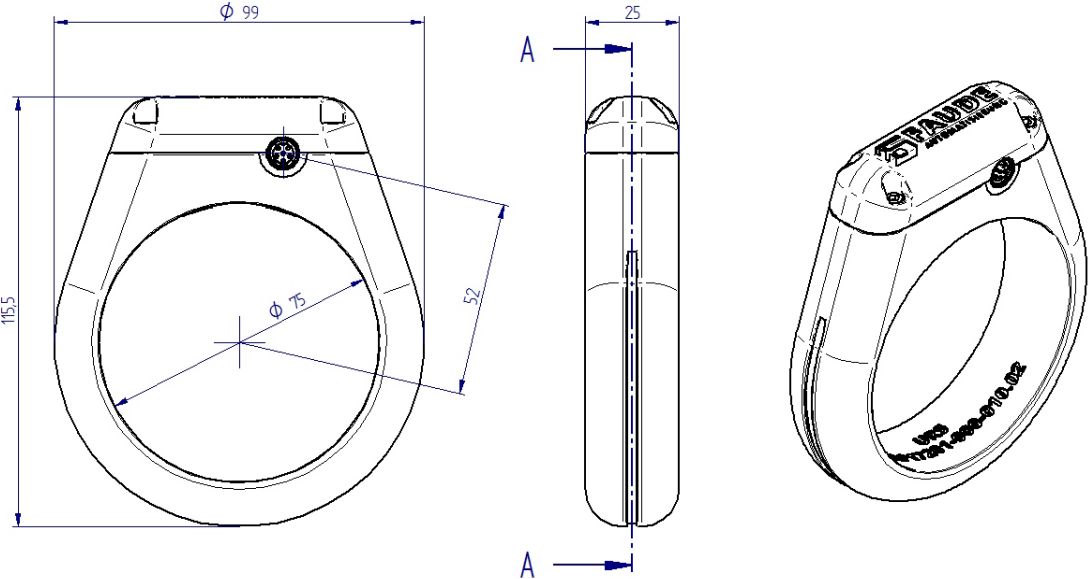
LED Lightning

operating voltage	24V DC	
Typ. dom. wavelength	Rot 625nm, Blau 370nm	
Typ. operating current	UR3/UR5 UR10	124,4 mA 186,4 mA
Typ. power	UR3/UR5 UR10	3 W 4,5 W
Energy efficiency	A+	

Overview and dimension ProLight UR3

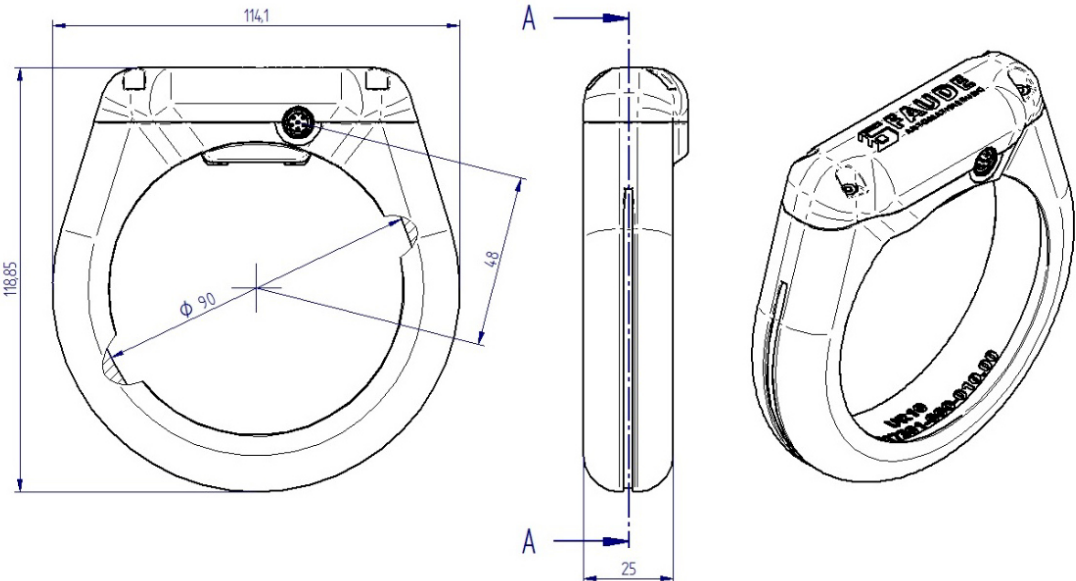


Overview and dimension ProLight UR5

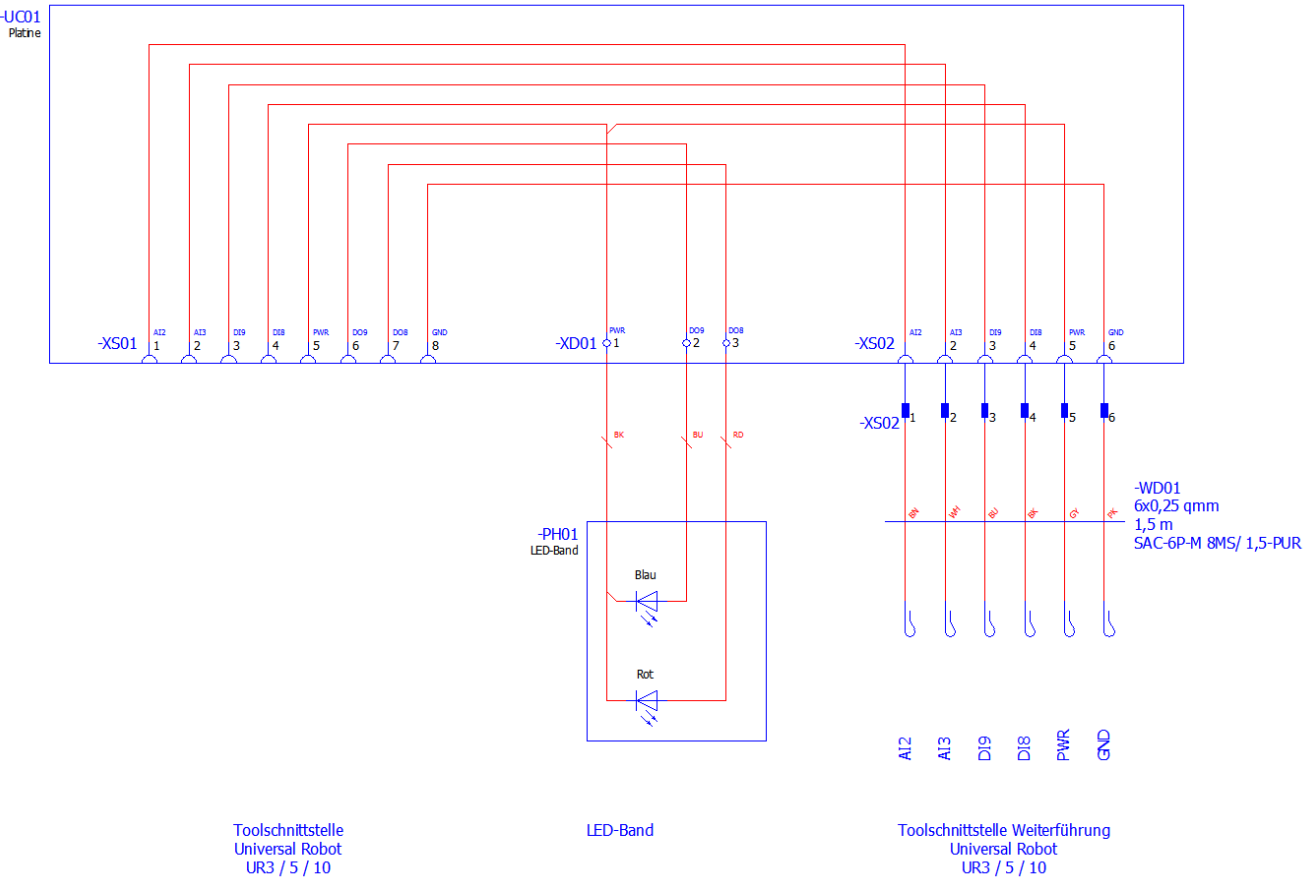


ProLight Illumination safety ring for UR Robots

Overview and dimension UR10



Circuit diagram



FAuDE Tec GmbH

Oedweilerhof 3 – 73104 Boertlingen – Germany

Phone +49 7161 9459 839

email: info@faudetec.de – Web: <https://faudetec.de>